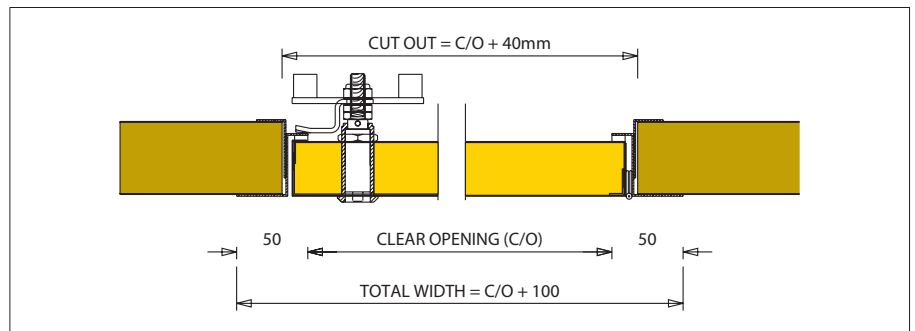


## CEILING

# INSPECTION HATCH FOR B-500

For quick access to technical spaces above the ceiling such as ventilation, electrical wiring etc. Surface is normally the same as the ceiling to make a discreet finish.

The hatch is supplied with frame / counter frame for cut out, 3-point espagnolet lock and piano hinge.



Ceiling hatch.

Description	Inspection hatch for ceiling
Fire class	B-15 / B-30
Surface leaf	0.6 mm steel sheets
Frame	Painted or stainless steel
Core material	Rockwool 250 kg <sup>3</sup> /m
Thickness	39 mm
Weight	Approx 18 kg
Lock	3-point espagnolet
Clear opening:	Width: 120 - 800 mm Height: 120 - 1000 mm

Ceiling type	Clear opening
B500 / 52	400 x 600
B600 / 40	400 x 500
T600 / 30	560 x 560
B600 / 40	Hatch ceiling
T600 / 40	400 x 500

### NOTE:

If the width of the frame exceeds the width of the ceiling panel, extra support (steel strips) are needed.