

# WALLS - INTERNAL / EXTERNAL HD OMEGA

Further development of the "Omega" concept by BD has culminated in the certification of the HD (Heavy Duty) range of products. A range that covers all A and H Class firewall requirements for both Internal and External use.

The HD Deck panel system is used as an "External Roof Deck System" and as an "Internal Deck System". The range available is from A0 to A60.

Although classified as a non-load bearing system the very nature of a deck requires structural loading within everyday use and within a fire situation. The BD A60 rated deck system was fire tested under load conditions. From these test results we are able to design the secondary steel support structure necessary to achieve project specific load conditions.

## Details

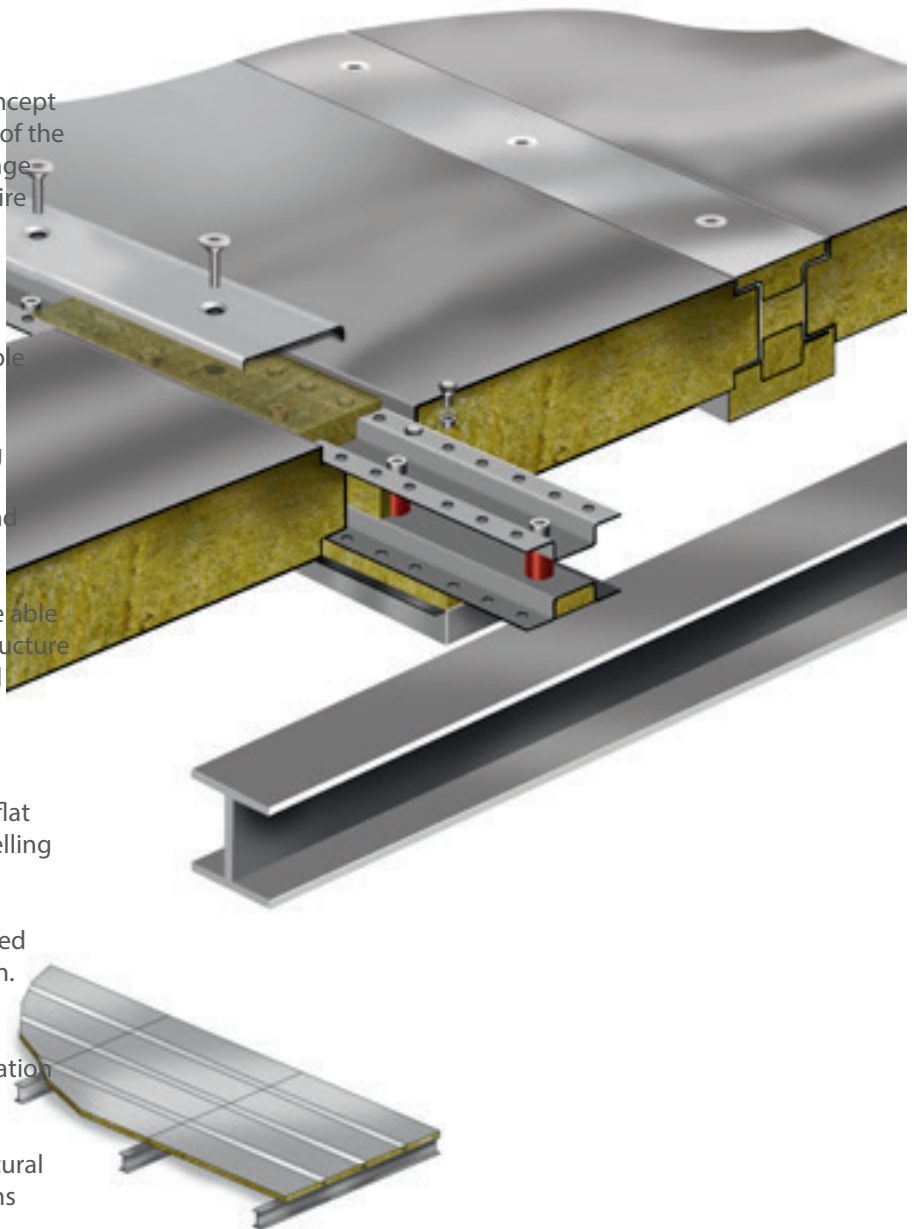
Encapsulated insulation and completely flat surface eliminates the need for floor-levelling screeds.

Up to a 30% weight saving can be achieved over conventional steel deck construction.

Up to 35% saving can be achieved over conventional deck fabrication and installation times.

Fully detailed design drawings and structural calculations are available from BD Systems Ltd.

All weights shown are for the fully installed system and include all profiles.



System tested under a load of 5 Kn / m2 at maximum of 2200 mm Span.

Description	BD Deck - 100	BD Deck 1 - 100	BD Deck 2 - 100
Fire class	A0 - 1 hour	A60 / 1 hour	A60 / 1 hour
Standard width	600	600	600
Panel height	up to 6000 mm	up to 6000 mm	up to 6000 mm
Thickness	100 mm	100 mm	100 mm
Weight	48.35 kg/m <sup>2</sup>	50.02 kg/m <sup>2</sup>	50.02 kg/m <sup>2</sup>
Sound reduction	R <sub>w</sub> =48 dB	R <sub>w</sub> =48 dB	R <sub>w</sub> =48 dB
Thermal isolation	U=0.32 W/m <sup>2</sup> K	U=0.32 W/m <sup>2</sup> K	U=0.32 W/m <sup>2</sup> K
Application	Internal decking	Internal decking	External roof decking

